

Vestax®

Professional Mixing Controller

PMC-26

OWNER'S MANUAL



VESTAX CORP.
2-37-1 Kamiyama, Setagaya-ku, Tokyo 154
Phone: 03-3412-7011 Fax: 03-3412-7013
VESTAX MUSICAL ELECTRONICS CORP.
2860 Cordelia Rd. Suite 120 Fairfield, CA 94585 U.S.A.
Phone: 707-427-1920 Fax: 707-427-2023
VESTAX (Europe) Ltd.
18 St. Christophers Road, Haslemere, Surrey GU27 10Q England.
Phone: 0428-653117 Fax: 0428-661021

IMPORTANT

To prevent electric shock, do not remove cover., No user serviceable parts, refer servicing to qualified personnel.

Always disconnect all the equipment from the main supply when disconnecting the signal leads.

The power cord should be connected last. Make sure that the power switch is off when connecting.

Disconnect from AC supply when equipment is not used for an extended period of time.

WARRANTY

Warranty might vary from country to country. Each distributor has their own warranty system in accordance with the country or state regulations. Vestax has manufacturers responsibility for products by the manufacturing country's regulations.

FEATURES

1. DJ's who favor rotary over sliding level controls will enjoy the long mixing convenience that the PMC-26 offers.
2. New developed "CREATOR" function accentuates the beat dynamism and the rhythm.
3. 3 Channels can be mixed from a total of 11 inputs. (6 line STEREO, 3 Phono & 2 Mic)
4. Each channel is equipped with a TRIM control. This allows matching of different level input sources. This means a smooth remix can be obtained.
5. The two microphone inputs, main and sub can be used simultaneously.
6. Crossfader is specially "curved" and has the durability to endure hard scraching. The Vestax Detachable Crossfader allows easy user replacement.
7. Stereo program monitor system is adopted within the monitor section.
8. In addition to the 16 point peakhold indicator, an option peak level meter indicates the optional input signal.
9. The unit size is EIA 4U for 19" rack mounting.

PRECAUTIONS

Please read these instructions before operating this unit.

*Humidity and dust

Avoid use where there is high humidity and dust which may cause damage to internal parts.

*Temperature

Avoid use in hot (over 35 °C) and cold (below 5 °C) locations. Keep the unit away from extreme direct heat such as direct sunlight, heating radiators, or closed vehicles.

*POWER CORD HANDLING

Connecting the power cord to other cords or joining cords together can cause fire and electric shock. This is extremely dangerous.

Take precaution when handling AC plugs and connectors. Handle only the plug or connector and do not perform these operations with wet hands.

*KEEP AWAY FROM LIQUIDS

Do not stand vessel containing liquids on or near the equipment. If liquid does happen to enter equipment, disconnect the power cord from the power outlet immediately.

SPECIFICATIONS

INPUT	RETED INPUT	MAXIMUM INPUT	IMPEDANCE	
MAIN MIC, SUB MIC	-46dB	-22dB	3KΩ	FREQUENCY RESPONSE MAIN MIC, SUB MIC 50Hz~15KHz +0, -3dB LINE 50Hz~25KHz +9, -1dB S/N Ratio MIC-LINE OUT間 60dB or greater (JIS-A WTD) CROSSTALK DIMENSIONS 60dB or greater 482×102×176mm WEIGHT 4.0. kgS
PHONO 1~3	-42dB	-22dB(1KHz)	50KΩ	
LINE 1~6	-10dB	+12dB	30KΩ	
AUX RTN	-10dB	+10dB	50KΩ	
OUTPUT LEVEL/ LOAD IMPEDANCE	RATED OUTPUT	MAXIMUM OUTPUT	OPTIMUM/OUTPUT	
LINE OUT	-10dB	+12dB	10KΩ以上/220Ω	
REC OUT	-16dB	+6dB	10KΩ/1KΩ	
AUX SEND OUT	-10dB	+12dB	10KΩ/220Ω	
ヘッドフォンOUT		90mW(47)Ω負荷時)	8Ω以上/47Ω	

11. MIDDLE

Boost/cut of the middle range.

Cuts the middle frequencies when the knob is turned anticlockwise.

Boosts when the knob is turned clockwise.

Vocal and melody source can be cut by using this control.

12. BASS

Boost/cut of the bass range.

Cuts the low frequencies when the knob is turned anticlockwise.

Boosts when the knob is turned clockwise.

Used to emulate the effects of a capella.

NOTE: Please make sure of the proper level for your amplifier and speakers.

13. MASTER LEVEL

Adjusts the signal level outputs from LINE OUT jack on the rear panel.

14. MASTER PEAK LEVEL METER

The bar graph level meters indicate the peak L & R output.

15. OPTION PEAK LEVEL METER

The bar graph level meters indicate the peak of the output which selected by CUE SELECTOR (22).

16. CROSSFADER IN/OUT SWITCH

When the LED flashes, the input signal passes through the crossfader.

17. AUX SEND (AUX Send Output Adjustment Knob)

Adjusts the signal level output to an external effector connected to AUX SEND jacks on the rear panel.

NOTE: When the crossfader is used, the signal is taken after the crossfader and returned before the master fader. This makes possible a variety of techniques such as the application of echo to a cut out in which the crossfader would be used.

18. AUX SW (Aux Switch)

Used when sending signal to external effectors connected to AUX SEND jacks on the rear panel.

19. AUX RTN (Aux Input Adjustment Knob)

Adjusts the signal level input from an external effector connected to AUX RTN jacks on the rear panel.

20. PHONES (Headphone Jack)

Use this jack to connect the headphones. Headphones from 8 ohm to 600 ohm can be used. 150 ohm is recommended.

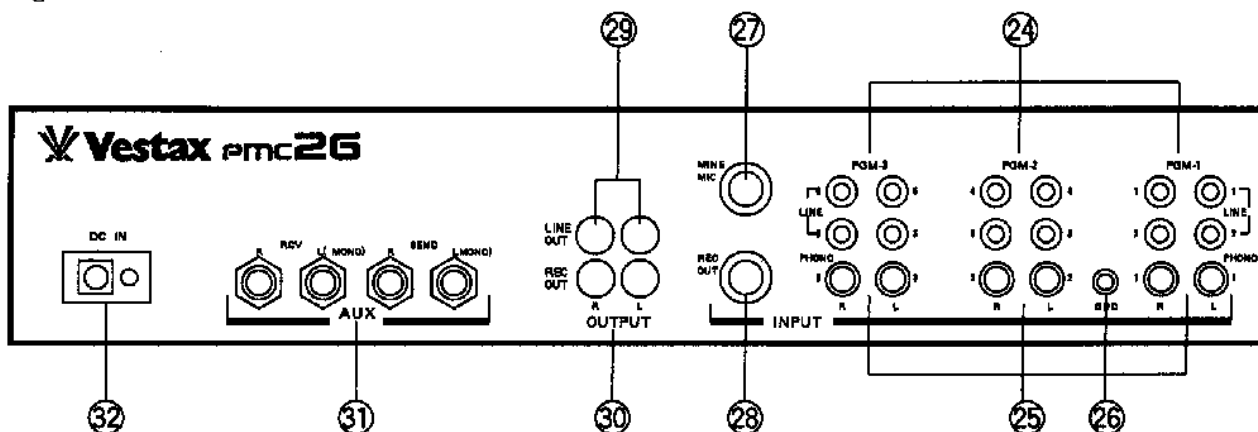
21. LEVEL (Headphone volume)

Adjusts the monitor level through the headphone.

22. CUE SELECTOR

Used to select the stereo cue monitor for PGM channels 1-3, mic channel and effect receive signals.

23. POWER SWITCH



REAR PANEL

24. LINE INPUT L/R (1-6)

Input connectors for line level equipment such as CD players, tape decks and VTR's.

25. PHONO INPUT L/R (1, 2, 3) <RCA PIN JACK>

Input jack for each PGM turntable. Connect turntables equipped with MM pickup cartridge.

26. GND (Ground terminal)

Connect this terminal to ground lead of the turntable. This helps to reduce noises.

27. MAIN MIC <1/4 INCH PHONE JACK>

Input jack of the main mic.

28. SUB MIC <1/4 INCH PHONE JACK>

Input jack of the sub mic.

29. LINE OUT L/R <RCA PIN JACK>

Master out of P. A. output. Connect with the input of power amplifier.

30. REC OUT L/R <RCA PIN JACK>

Output for recording. Connect with the input jack of the tape deck. Also use for sub output when you need an output beside main output.

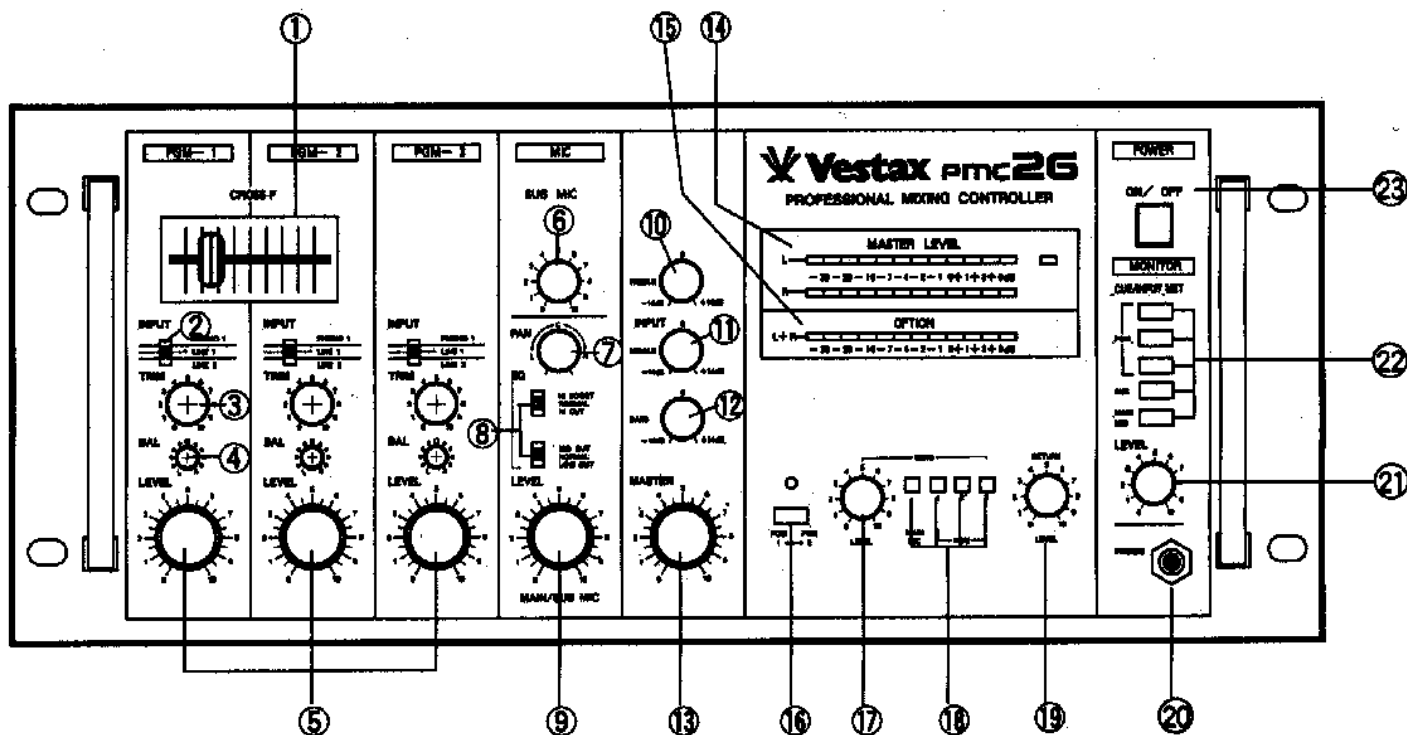
MASTER LEVEL (13) does not effect level in this case.

31. EFFECT SEND/RTN <1/4 INCH PHONE JACK>

Connect the SEND jacks to the input of an external effector unit. (Delay, Reverb etc.) Connect the RTN jacks to the output of the effector. STEREO IN/STEREO OUT effectors or MONO IN/MONO OUT effectors both can be used. When MONI is connected use L terminal.

32. DC IN

Connect to the DC-15 AC adaptor.



FUNCTIONS

FRONT PANEL

1. CROSSFADER

Mixes the signals of selected PGM's. When the crossfader module requires replacing or changing, use part CF-R.

2. INPUT (Input Select Switch)

Used to select the input to be sent to each PGM channel. It allows for selection of one of the three inputs connected to the rear panel.

The selections are as follows.

PGM-1.....PHONO 1, LINE 1, LINE 2

PGM-2.....PHONO 2, LINE 3, LINE 4

PGM-3.....PHONO 3, LINE 5, LINE 6

3. TRIM

Adjusts input level of each PGM channel.

Set INPUT FADER and MASTER FADER at 7-8 position.

Set MASTER LED METER to flash occasionally at +3dB.

4. BALANCE

Adjusts the balance of the L to R side of the input signal.

5. LEVEL (Channel Level Rotary Fader)

Used to adjust input level of the various channels. Usually set 7-8.

6. SUB MIC (Sub Mic Input Adjustment Knob)

This knob is used to adjust the input of the sub mic connected to the standard jack on the rear panel.

7. PAN (Pan L or R)

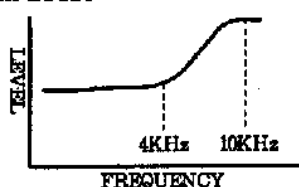
Sets PAN to L or R of stereo output of main mic connected to phone jack on the rear panel.

8. MIC EQ

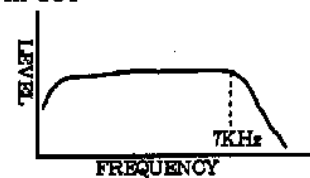
Low filter for the mic input.

Select as the type of microphone or the prevention of the feedback.

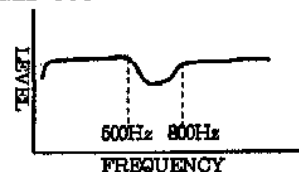
HI BOOST



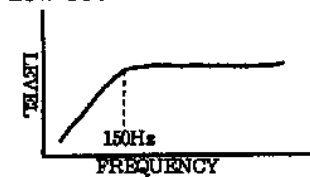
HI CUT



MID CUT



LOW CUT



9. MAIN MIC (Main Mic Input Fader)

Adjusts the input level of the MAIN MIC connected to phone jack on the rear panel.

CREATOR

New developed active equalizing effector.

10. REBLE

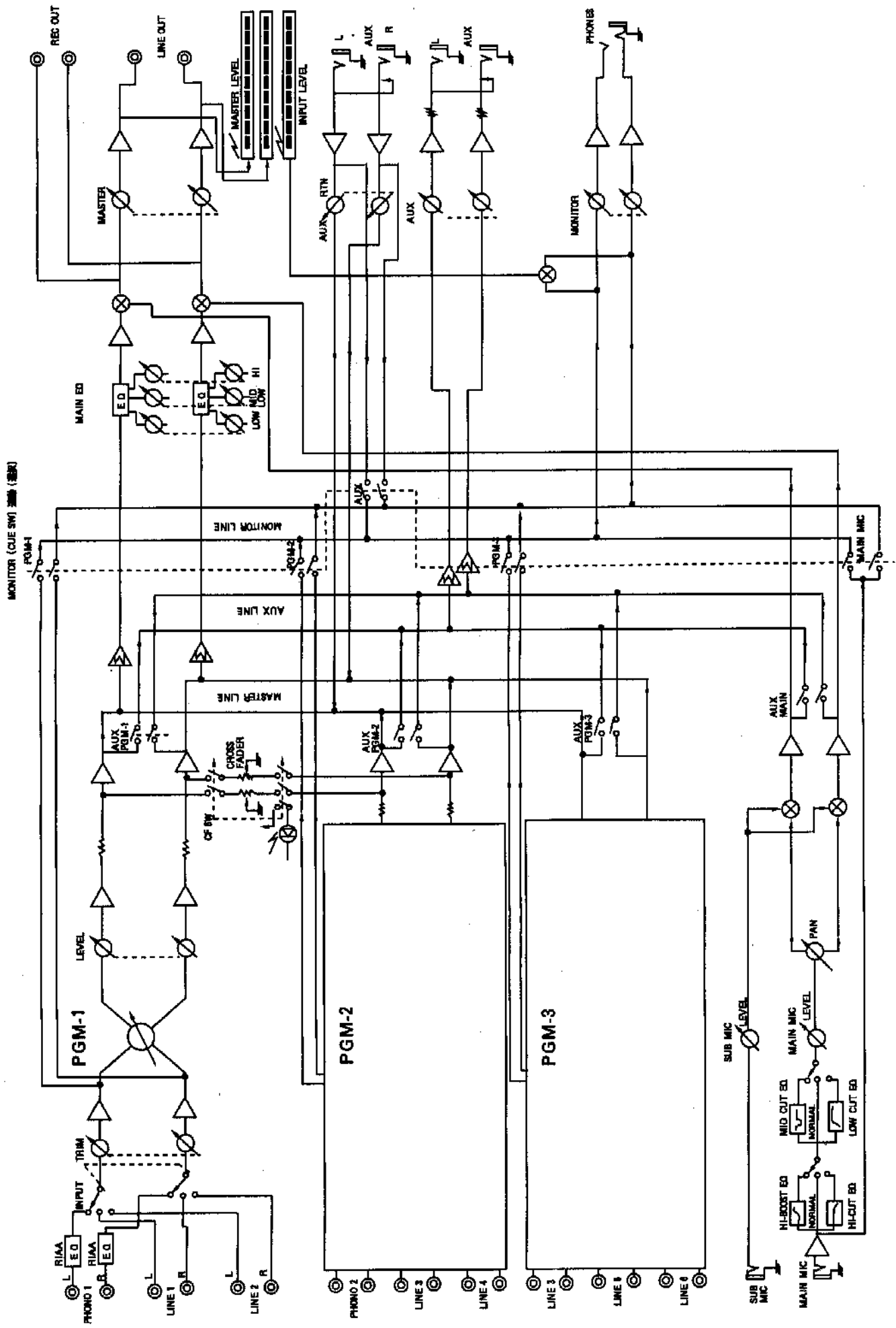
Boost/cut of the treble range.

Cut the high frequencies when the knob is turned anticlockwise.

Boosts when the knob is turned clockwise.

Used to emphasize the sound of the cymbals or the high hats for example.

PMC-26 BLOCK DIAGRAM





VESTAX CORPORATION