



4 BAND ISOLATER

# DCR-1200 Pro

OWNER'S MANUAL

**VESTAX CORP.**

2-37-1 Kamitama, Setagaya-ku, Tokyo 154-0011

Phone: 03-3412-7011 Fax: 03-3412-7013

**VESTAX MUSICAL ELECTRONICS CORPORATION**

4240C South Mobile Circle Aurora Colorado 80015 U.S.A.

Phone: 303-766-5269 Fax: 303-766-2196

**VESTAX (Europe) Ltd.**

18 St. Christopher's Road, Haslemere, Surrey GU27 1DQ England

Phone: (0)1428 653117 Fax: (0)1428 661021

## CONGRATULATIONS!

Thank you for purchasing the VESTAX DCR-1200Pro, 4 BAND ISOLATOR. Please read this owner's manual carefully before you start to use, so that you will fully understand all of the special features and enjoy the full use of the product.

## FEATURES

- DCR-1200Pro can be used to divide music source into 4 band HI, MID-HI, MID-LOW, LOW frequency, for the creative professional DJ.
- DCR-1200Pro has large aluminum knob to increase the erase of the use.
- Fast cut in/out is possible by use of 200 degree rotation volume control.
- DCR-1200Pro has BALANCE INPUT/OUTPUT. You can select INPUT LEVEL, 0dB or +4dB, by SELECT SWITCH.
- DCR-1200Pro has FREQUENCY DIVIDING LINE SELECT SWITCH. This switch can change dividing frequency of HI and MID HI, MID LOW and LOW.

## IMPORTANT SAFEGURDS

### READ BEFORE OPERATING EQUIPMENT

This product was designed and manufactured to meet strict quality and safety standards. There are, however, some installation and operation precautions which you should be particularly aware of.

1. Read instructions - All the safety and operating instructions should be read before the appliance is operated.
2. Retain instructions - The safety and operating instructions should be retained for future reference.
3. Heed Warnings - All warnings on the appliance and in the operating instructions should be adhered to.
4. Follow Instructions - All operating and use instructions should be followed.
5. Cleaning - Unplug this product from the wall outlet before cleaning. Do not use liquid cleaners or aerosol cleaners. Use a damp cloth for cleaning.
6. Attachments - Do not use attachments not recommended by the product manufacturer as they may cause hazards.
7. Water and Moisture - Do not use this product near water - for example, near a bath tub, wash bowl, kitchen sink, or laundry tub, in a wet basement, or near a swimming pool, and the like.
8. Accessories - Do not place this product on an unstable cart, stand, tripod, bracket, or table. The product may fall, causing serious injury to a child or adult, and serious damage to the appliance. Use only with a cart, stand, tripod, bracket, or table recommended by the manufacturer, or sold with product. Any mounting of the appliance should follow the manufacturer's instructions, and should use a mounting accessory recommended by the manufacturer.
9. Ventilation - Slots and openings in the cabinet are provided for ventilation and to ensure reliable operation of the product and to protect it from overheating, and these openings must not be blocked or covered. The openings should never be blocked by placing the product on a bed, sofa, rug, or other similar surface. This product should never be placed near or over a radiator or heat register. This product should not be placed in a built-in installation such as a bookcase or rack unless proper ventilation is provided or the manufacturer's instructions have been adhered to.
10. Power sources - This product should be operated only from the type of power source indicated on the marking label. If you are not sure of the type of power supply to your home, consult your appliance dealer or local power company.
11. Grounding or Polarization - This product is equipped with a polarized alternating-current line plug (a plug having one blade wider than the other). This plug will fit into the power outlet only one way. This is safety feature. If you are unable to insert the plug fully into the outlet, try reversing the plug. If this should still fail to fit, contact your electrician to replace your obsolete outlet. Do not defeat the safety purpose of the polarized plug.
12. Power-Cord Protection - Power supply cords should be routed so that they are not likely to be walked on or pinched by items placed upon or against them, paying particular attention to cords at plugs, convenience receptacles, and the point where they exit from the appliance.

13. Protective Attachment Plug - The appliance is equipped with an attachment plug having overload protection. This is a safety feature. See Instruction Manual for replacement or resetting of protective device. If replacement of the plug is required, be sure the service technician has used a replacement plug specified by the manufacturer that has the same overload protection as the original plug.
14. Lightning - For added protection for this product during lightning storm, or when it is left unattended and unused for long periods of time, unplug it from the wall outlet. This will prevent damage to the product due to lightning and power-line surges.
15. Overloading - Do not overload wall outlets and extension cords as this can result in a risk of fire or electric shock.
16. Object and Liquid Entry - Never push objects of any kind into this product through openings as they may touch dangerous voltage points or short-out parts that could result in a fire or electric shock. Never spill liquid of any kind on the product.
17. Servicing - Do not attempt to service product yourself as opening or removing covers may expose you to dangerous voltage or other hazards. Refer all servicing to qualified service personnel.
18. Damage Requiring Service - Unplug this product from the wall outlet and refer servicing to qualified service personnel under the following conditions:
  - a. When the power-supply cord or plug is damaged.
  - b. If liquid has been spilled or objects have fallen into the product.
  - c. If the product has been exposed to rain or water.
  - d. If the product does not operate normally by following the operating instructions. Adjust only those controls that are covered by the operating instructions as an improper adjustment of other controls may result in damage and will often require extensive work by a qualified technician to restore the product to its normal operation.
  - e. If the product has been dropped or cabinet has been damaged.
  - f. When the product exhibits a distinct change in performance - this indicates need for service.
19. Replacement Parts - When replacement parts are required, be sure the service technician has used replacement parts specified by the manufacturer or have the same characteristics as the original parts. Unauthorized substitutions may result in fire, electric shock or other hazards.
20. Safety Check - Upon completion of any service or repairs to this product, ask the service technician to perform safety checks to determine that the product is in proper operating condition.
21. Carts and Stands - The appliance should be used only with a cart stand that is recommended by manufacturer.
22. An appliance and cart combination should be moved with care. Quick stops, excessive force, and uneven surfaces may cause the appliance and cart combination to overturn.



AC POLARIZED PLUG



## NOTES

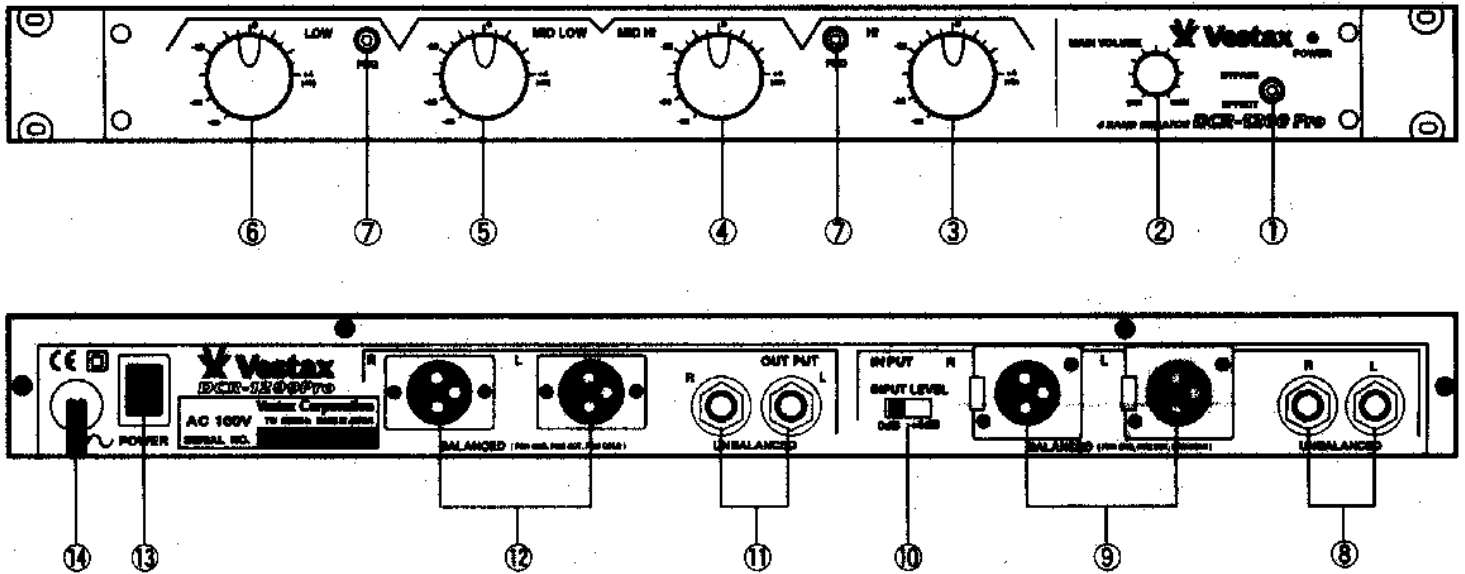
- Before detaching or attaching the headshell, be sure to turn the power of the amplifier or mixer off.
- Detaching or attaching of the headshell with the volume control turned up may cause damage to the speakers.
- Do not turn "ON" the power supply, with the turntable platter detached.
- When play is finished, be sure to secure the tonearm with the arm clamp. After play is finished, if the unit is not to be used for some time, care should be taken to secure the tonearm to protect the stylus tip. For the same reason, the stylus protector should also be attached.
- Wipe the headshell terminals from time to time. Dust and dirt at the headshell terminals may result in increased "HUM" noise or intermittent sound. Use a soft dry cloth to clean the headshell terminals.
- Dust and dirt should be carefully removed from stylus tip or records. Dust and dirt on the stylus tip or record may not only result in deterioration of tone quality, but also cause undue wear of the record and the stylus tip itself.
- Transportation of the unit to distant places for removal and the like. Pack up the unit in the reverse order to that for unpacking, using the packing materials furnished when the unit was purchased. Should there be no such packing materials, be sure to take the following steps.

Remove the turntable platter together with the turntable mat, and wrap it up to prevent any damage to them. Return the tonearm to the arm rest, and affix it with tape or the like. Remove the balance weight and the headshell/cartridge from the tonearm and then wrap them up to avoid any damage to them. Wrap up the turntable base with a blanket or soft paper also to prevent any possible damage to it.

## ACOUSTIC FEEDBACK AND HUM

Acoustic Feedback is usually caused by vibration of speakers, which affects the sensitive cartridge. If such a phenomenon occurs, relocate the turntable or speakers as far apart from each other as possible. Hum is usually caused by nearby appliances that use transformer or thermostat. Relocating the unit further away from the noise sources will readily solve the problem. Hum may also be produced if the unit is not properly grounded. Make sure the grounding wire extending from the unit is securely connected to the GND terminal on the amplifier or mixer.

## CONTROL AND FUNCTIONS



### FRONT SECTION

#### ① EFFECT SWITCH

When set to the BYPASS mode, a full range signal is output regardless of the position of any controls.

#### ② MAIN VOLUME

Adjust the level of input signal.

#### ③ ISOLATION CONTROL-HI

Allows boost and cut of the treble range. Sound volume will increase when the knob is turned clockwise. When set 12 o'clock position the output volume is the same as when in BYPASS mode. Is used to emphasize the sound of the cymbals or high hats for example.

#### ④ ISOLATION CONTROL-MID HI

Allows boost and cut of the treble range. Sound volume will increase when the knob is turned clockwise. When set 12 o'clock position the output volume is the same as when in BYPASS mode. Can be used to cut high tone vocal and melody from the source.

#### ⑤ ISOLATION CONTROL-MID LOW

Allows boost and cut of the treble range. Sound volume will increase when the knob is turned clockwise. When set 12 o'clock position the output volume is the same as when is BYPASS mode. Can be used to cut middle tone vocal and melody from source.

#### ⑥ ISOLATION CONTROL-LOW

Allows boost and cut of the treble range. Sound volume will increase when the knob is turned clockwise. When set 12 o'clock position the output volume is the same as when is BYPASS mode. Can be used to create the effects of an acapella.

#### ⑦ FREQUENCY SELECT SWITCH

This is the switch for adjusting frequency dividing point. When this switch is moved to right side frequency dividing point is moved to higher position. Moved to left side, point is moved to lower. This switch controls the point between HI and MID-HI, and MID-LOW and LOW.

### REAR SECTION

#### ⑧ INPUT JACK (UNBALANCE, 1/4 PHONE JACK)

Connect with the output of mixers.

#### ⑨ INPUT JACK (BALANCE, XLR JACK)

Connect with the output of mixers. PIN No.1 is GND (ground), No.2 is HOT, and No.3 is COLD.

#### ⑩ INPUT LEVEL SELECT SWITCH

This is the switch to select input level. You can select +4dB, or 0dB.

#### ⑪ OUTPUT JACK (UNBALANCE, 1/4 PHONE JACK)

Connect with the input of power amplifier.

#### ⑫ OUTPUT JACK (BALANCE, XLR JACK)

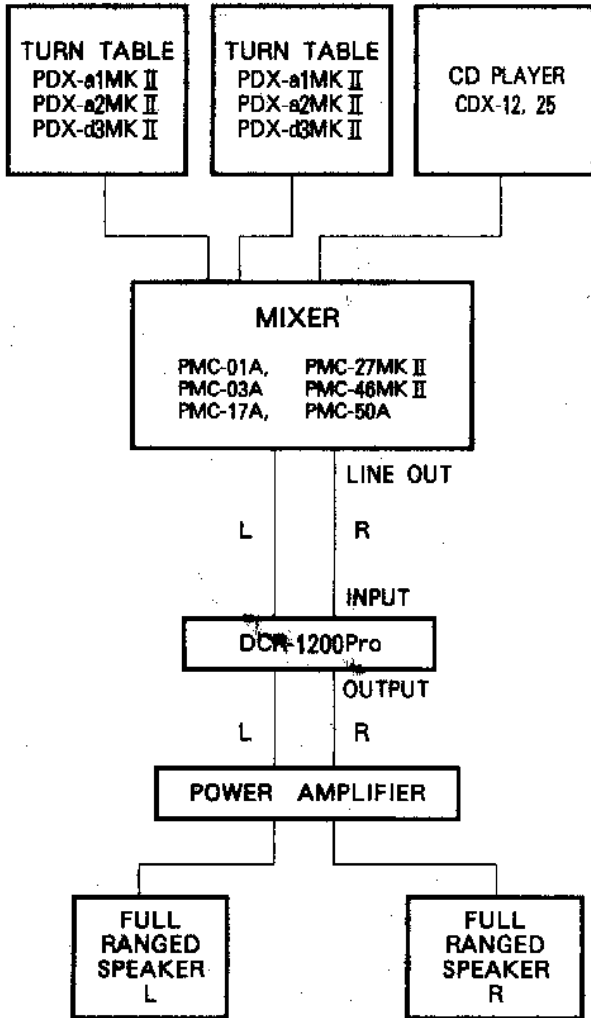
Connect with the input of power amplifier. PIN No.1 is GND (ground), No.2 is HOT, and No.3 is COLD.

#### ⑬ POWER SWITCH

ON/OFF power switch. Please make sure the power of amplifier is OFF when you press the switch.

#### ⑭ AC POWER CABLE

## CONNECTION



## SPECIFICATIONS

INPUT LEVEL/IMPEDANCE	: -10dBV(NOM) +14dBm(MAX) 47Kohm
MASTER OUT LEVEL/IMPEDANCE	: -10dBV(NOM) +14dBm(MAX) 100ohm
GAIN MAX	: +4dB ±1dB
SLOPE	: -24dB/oct
S/N	: OVER -90dB
CROSSTALK	: BELOW -65dB

